

ALFRED TEVES BRAKE SYSTEMS (PTY) LTD

TECHNICAL BULLETIN

SEPTEMBER 2024

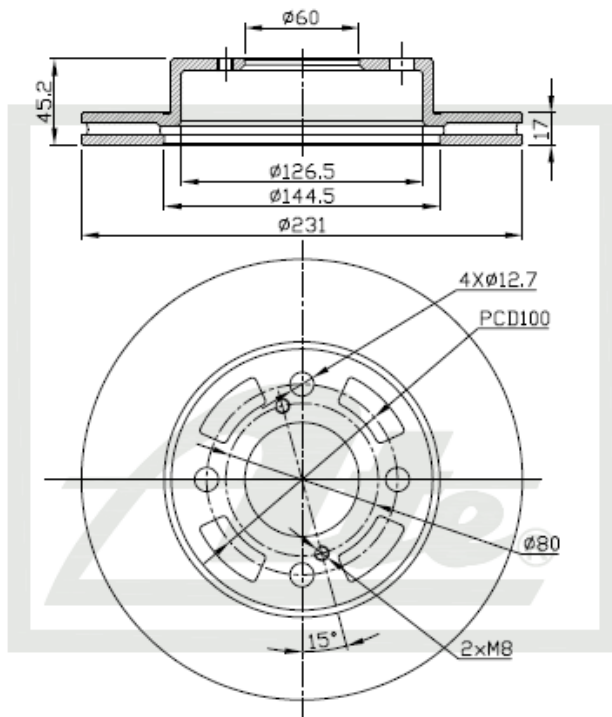


(ATE and Teves are registered trademarks of Continental Teves AG & Co oHG and/or its affiliates in Frankfurt Germany and other Countries)

117.1009

NEW PART NUMBER

Drawing



MIN. THK. 15MM

Details of New Part

Brake Disc – Front

Product Dimensions

Diameter – 231.0mm

Thickness - 17mm

Height – 45.2mm

PCD – 100mm

Spigot – 60.0mm

Package Dimensions

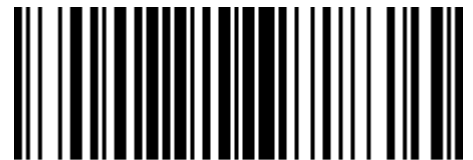
Weight – 3500g

L – 265mm

W – 260mm

H – 60mm

Barcode



117.1009

Vehicle Applications

SUZUKI S-PRESSO (FL) [2019-] 1.0
SUZUKI IGNIS III (MF) [2017-] 1.2

Front Position Rear



CALL NOW TO ORDER YOUR STOCK!!!

(011) 898 1800

Picture(s) of the vehicle(s) that this part is suitable for



www.ate.co.za

"Single Minded about YOUR Safety"